

Product Information

**AC Voltage Transmitter
 VT500**



- 6 measuring ranges selectable 0..600 V AC
- Average function selectable
- Frequency range 40..2000 Hz

Characteristics

Voltage transmitter VT500 converts true r.m.s. voltage measuring values of all types of waveforms into industry standard signals for process control systems. For example, the load voltage of an frequency converter can be detected and converted.

Technical data

Power supply
 Supply voltage : 85..265 V AC or 10..30 V AC/DC
 Frequency : 40..400 Hz
 Power consumption : <3 VA
 Operating temperature : -10..+60 °C
 CE-conformity : EN 55022, EN 60555, IEC 61000-4-3/4/5/11/13

Input
 Voltage AC : 0..100 / 200 / 300 / 400 / 500 / 600 V AC, overload max. 1200 V max. 5 s
 Ri : 720 kΩ
 Frequency : 40..2000 Hz fundamental wave, 16 $\frac{2}{3}$ Hz on request
 Start value : adjustable \pm 5 %
 End value : adjustable \pm 35 %

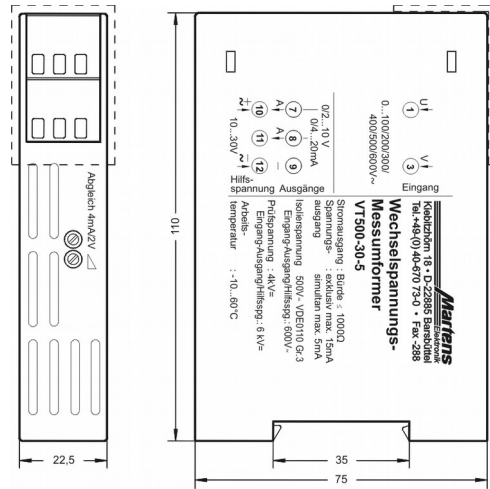
Output
 Current : 0/4..20 mA, selectable, burden \leq 1 kΩ
 Voltage : 0/2..10 V DC, selectable, load max. 15 mA, short-circuit-proof (parallel with the voltage output max. 5 mA)

Rise time (T₉₀) : \leq 150 ms
 Accuracy : \leq 0.5 %; single adjustment \leq 0.2 %

Case
 : Polycarbonate, UL94V-0
 TS 35 acc. to DIN EN 60715:2001-09

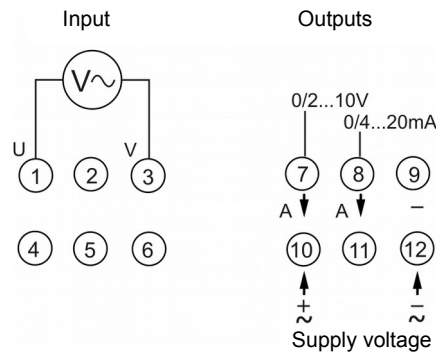
Weight : approx. 200 g
 Connection : screw terminals, max. 2.5 mm²
 Protection class : case IP30, terminals IP20 acc. to BGV A3

Dimensions



DIN rail mounting TS35

Connection diagram



Ordering code

VT500 - 1. - 2.

1. Measuring ranges	
0	0..100 / 200 / 300 / 400 / 500 / 600 V AC
	custom range on request
2. Supply voltage	
0	85..265 V AC
5	10..30 V DC
Accessories	
KA-VT	terminal cover for measuring voltages > 400 V AC